

**REFERENCE :** KI0122

**SIZES :** U

**COMPOSITION :**

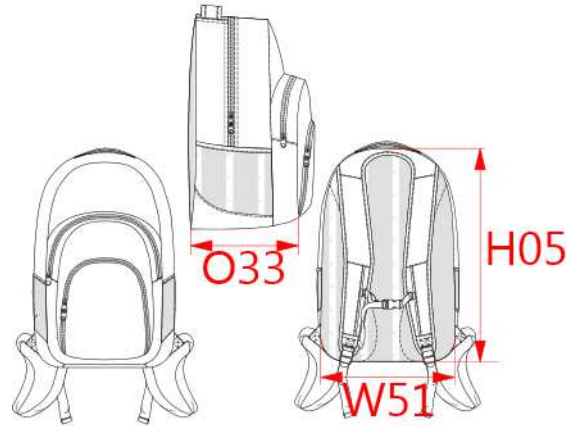
Main fabric : 2 tone Polyester 600D PVC backing 100% polyester  
 Lining : Polyester 210D PU backing - 75 As inside lining. 100% polyester  
 Fabric 2 : Polyester puffy mesh On back panel + back side of shoulder straps. 100%polyester  
 Mesh 1 : Polyester mesh - 150 On lateral pockets. 100% polyester  
 Lining : Polyester micropolar fleece - 180 For inner PC compartment. 100%polyester

**FABRIC CONSTRUCTION AND FINISHING :**

PVC backing

**ARTICLE WEIGHT :**

630 gr/pc



DESCRIPTION
<b>Français :</b> Sac à dos ordinateur
<b>English :</b> Padded computer backpack
<b>Nederlands :</b> Gewatteerde laptop rugzak
<b>Deutsch :</b> Gepolsterter laptop rucksack
<b>Español :</b> Mochila porta ordenador
<b>Italiano :</b> Zaino porta computer
<b>Português :</b> Mochila para computador

COLORS	PANTONE SERIGRAPHIE
Dark grey	432C
Navy	296C

MEASUREMENT	
Description	U
<b>H05</b> Hauteur totale / Total height	52
<b>W51</b> Total width	33
<b>O33</b> Deep of bottom part	23

PACKING	
Box	20 pcs / box U => L:54cm W:45cm H:62cm GW:13,6Kg NW:12,6Kg