

PROACT.®

REFERENCE : PA628

SIZES : U

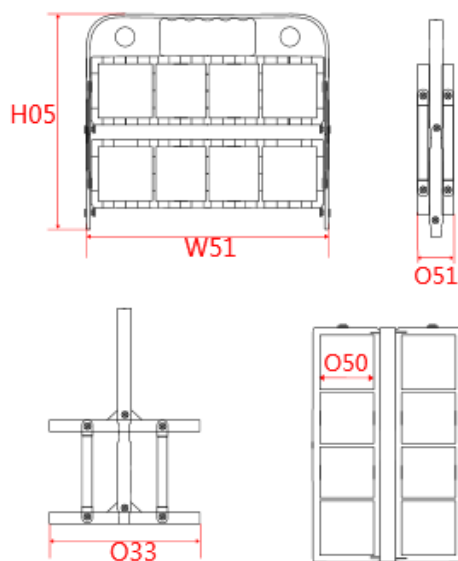
COMPOSITION :

Main material : PP plastic quality For full piece. 100% polypropylene

Material 1 : Metal quality For screws. 100%metal

ARTICLE WEIGHT :

650 gr/pc



DESCRIPTION	
Français :	Porte-bouteilles pliable
English :	Foldable bottle carrier
Nederlands :	Opvouwbare flessenhouder
Deutsch :	Faltbarer Flaschenhalter
Español :	Portabotellas plegable
Italiano :	Portabottiglie pieghevole
Português :	Porta-garrafas dobrável

COLORS	PANTONE SERIGRAPHIE
Blue	7684C
Black	Black

MEASUREMENT	
Description	U
H05 Hauteur totale / Total height	33
W51 Total width	39
O33 Deep of bottom part	21,50
O50 Diameter fo bottle holes	8
O51 Deep when folded	5

PACKING	
Box	20 pcs / box U => L:72cm W:43cm H:57cm GW:18.5kg NW:16kg