

KARIBAN

REFERENCE : K732

SIZES : 36_38_40_42_44_46

COMPOSITION :

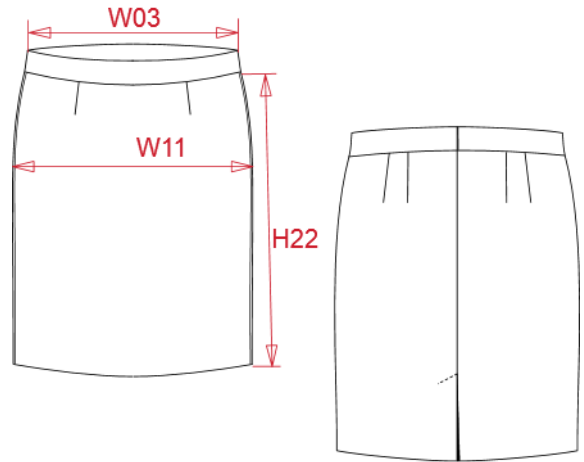
Main fabric : Polyester / Viscose / Elastane woven 64/34/2 -
 216 64%polyester / 34%viscose / 2%elastane
 Lining : Stretch polyester lining - 66 For front, back, underfly
 For binding belt 100%polyester

WEIGHT :

Main fabric : 216 gsm
 Lining : 66 gsm

ARTICLE WEIGHT :

225 gr/pc



DESCRIPTION
Français : Jupe droite
English : Pencil skirt
Nederlands : Kokerrok
Deutsch : Gerade geschnittener Rock
Español : Falda Tubo
Italiano : Gonna dritta
Português : Saia direita

COLORS	PANTONE SERIGRAPHIE
Black	Black
Navy	296C
Anthracite heather	-

MEASUREMENT							
Description	36	38	40	42	44	46	
W03 (L)* 1/2 largeur haut de taille / 1/2 top of waist width	37	39	41	43	45	47	
W11 (L)* 1/2 bassin / 1/2 hip width	47	49	51	53	55	57	
H22 (L)* Longueur côté sous ceinture / Side length under waistband	54	55	56	57	58	59	

CARE LABEL					

PACKING	
Box	20 pcs / box 36 => L:60cm W:40cm H:20cm GW:3,82kg NW:2,82kg 38 => L:60cm W:40cm H:20cm GW:3,88kg NW:2,88kg 40 => L:60cm W:40cm H:20cm GW:4,06kg NW:3,06kg 42 => L:60cm W:40cm H:20cm GW:4,10kg NW:3,10kg 44 => L:60cm W:40cm H:20cm GW:4,14kg NW:3,14kg 46 => L:60cm W:40cm H:20cm GW:4,30kg NW:3,30kg