

REFERENCE : KI0131

SIZES : U

COMPOSITION :

Main fabric : Polyester 600D PVC backing 100%polyester

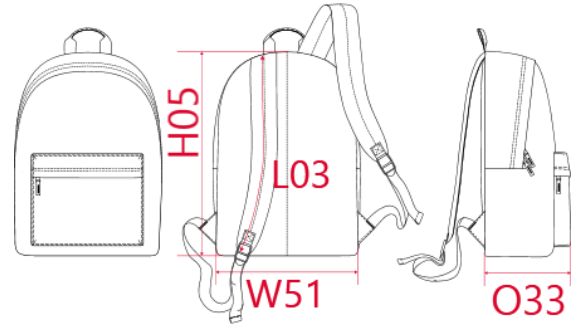
Lining : Polyester 210D PU backing - 75 As inside lining on back panel. 100%polyester

TECHNICAL DETAIL :

PVC backing

ARTICLE WEIGHT :

280 gr/pc



DESCRIPTION		COLORS	PANTONE SERIGRAPHIE
Français : Sac à dos classique · version junior		Black / Black	Black / Black
English : Classic backpack junior version		Red / Black	1795C / Black
Nederlands : Klassieke rugzak · junior versie		Royal blue / Black	287C / Black
Deutsch : Klassischer rucksack · junior ausführung		Burgundy / Black	229C / Black
Español : Mochila clásica · version junior		Purple / Black	520C / Black
Italiano : Zaino classico · versione junior		Orange / Dark grey	1495C / 432C
Português : Mochila classica · versau criança		Sky blue / Navy	278C / 433C
		Light grey / Dark grey	2331C / 432C
		Dark grey / Black	432C / Black
		Burnt lime / Black	583C / Black
		Yellow / Dark grey	109C / 432C
		White / Dark grey	White / 432C
		Navy / Black	433C / Black
		Trop. blue heather / Dark grey	Based on 7468C / 447C
		Pink / Dark grey	217C / 432C
		Fuchsia / Dark Grey	219C / 432C

MEASUREMENT	
Description	U
H05 Hauteur totale / Total height	38
W51 Total width	28
O33 Deep of bottom part	16
L03 Shoulder strap total length	41

PACKING	
Box	30 pcs / box U => L:43cm W:40cm H:47cm GW: NW:8,4Kg