



**REFERENCE :** KI0151

**SIZES :** U

**COMPOSITION :**

: Reverse Polyester 600D PVC coating Main fabric. Polyester Lining : Polyester 210D PU backing - 75 Inside lining. 100% polyester

Fabric 2 : Polyester puffy mesh On back panel + back side of shoulder straps. 100%polyester

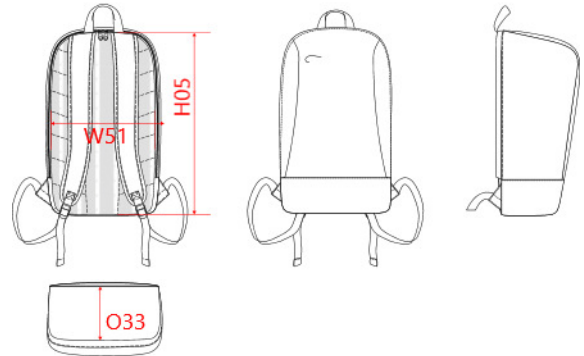
Mesh : Polyester mesh - 75 On inside pockets. 100%polyester

**TECHNICAL DETAIL :**

waterproof coating

**ARTICLE WEIGHT :**

700gr



DESCRIPTION		COLORS	PANTONE SERIGRAPHIE
<b>Français :</b> Sac à dos antivol <b>English :</b> Anti-theft backpack <b>Nederlands :</b> Anti-theft backpack <b>Deutsch :</b> Diebstahlsicherer Rucksack <b>Español :</b> Mochila anti-robo <b>Italiano :</b> Zaino antitaccheggio <b>Português :</b> Mochila anti-roubo		Black	Black
MEASUREMENT			
Description	U		
<b>H05</b> Hauteur totale / Total height	50		
<b>W51</b> Total width	31		
<b>O33</b> Deep of bottom part	14		
PACKING			
Box	5 pcs / box U => L:57cm W:34cm H:42cm GW:4.5kg NW:3.5kg		