

**REFERENCE :** KI0161

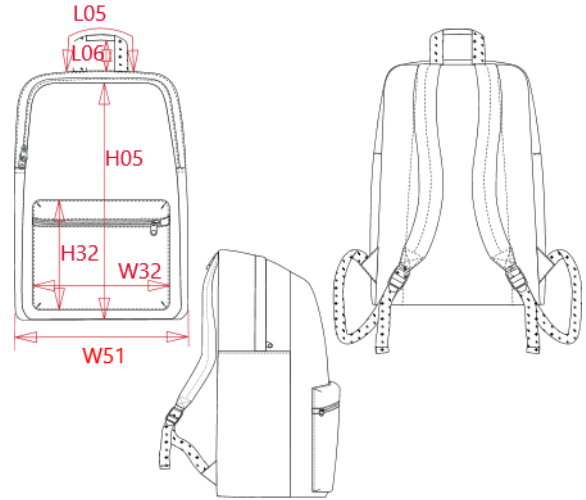
**SIZES :** U

**COMPOSITION :**

Main fabric : Cotton canvas - 450 100%cotton  
Lining : Cotton / Polyester woven 80/20 - 115 For back inside lining 80%cotton / 20%polyester

**ARTICLE WEIGHT :**

480 gr/pc



DESCRIPTION
<b>Français :</b> Sac à dos en coton canvas
<b>English :</b> Cotton canvas backpack
<b>Nederlands :</b> Rugzak van canvaskatoen
<b>Deutsch :</b> Rucksack aus Baumwollcanvas
<b>Español :</b> Mochila de algodón canvas
<b>Italiano :</b> Zaino in cotone canvas
<b>Português :</b> Mochila em algodão canvas

COLORS	PANTONE SERIGRAPHIE
Washed black	Black
Washed dark grey	411C
Washed navy	432C

MEASUREMENT						
Description	U					
<b>H05</b> Hauteur totale / Total height	43					
<b>W51</b> Total width	30					
<b>H32</b> Hauteur poche devant / Front pocket height	19					
<b>W32</b> Largeur poche devant / Front pocket width	24					
<b>L06</b> Light of top handle	5					
<b>L05</b> Total length of the tape for handle	17					

PACKING	
Box	25 pcs / box U => L:49cm W:40cm H:48cm GW:9.5Kg NW:8.5Kg