

REFERENCE : KI0230

SIZES : U

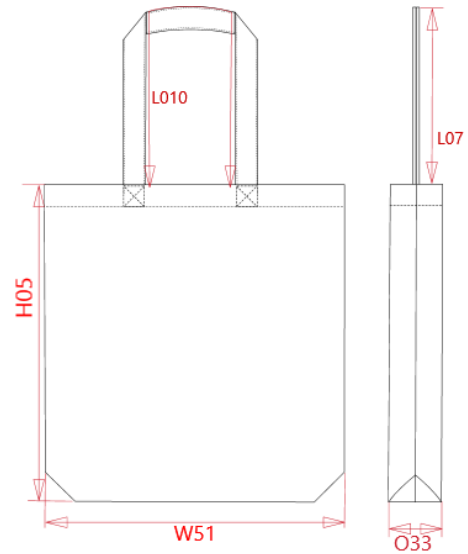
COMPOSITION :

Main fabric : Cotton canvas - 310 For one side of bag 100% cotton

Main fabric : Cotton canvas - 310 For the other side of bag 100% cotton

ARTICLE WEIGHT :

158 gr/pc



DESCRIPTION								COLORS		PANTONE SERIGRAPHIE	
Français : Sac cabas bicolore en coton English : Two-tone cotton tote bag Nederlands : Tweekleurige shopper van katoen Deutsch : Zweifarbige Baumwolltasche im Cabas-Stil Español : Bolsa bicolor de algodón Italiano : Borsa shopping donna bicolore in cotone Português : Saco de compras bicolor em algodão								Black / Natural		Black / Warm grey 1C	
								Red / Natural		1795C / Warm grey 1C	
								Turquoise / Natural		320C / Warm grey 1C	
MEASUREMENT											
Description	U										
H05 Hauteur totale / Total height	42										
W51 Total width	38										
O33 Deep of bottom part	8										
L07 Light of shoulder belts	23										
L010 Longueur bande épaule / Total lenght of handle	50										
PACKING											
Box	100 pcs / box U => L:44cm W:40cm H:44cm GW:17.35kg NW:16.00kg										