

REFERENCE : KI0271

SIZES : U

COMPOSITION :

Main fabric : Cotton canvas - 310 Certified Oeko-Tex
For front, back panel and front pocket 100%cotton

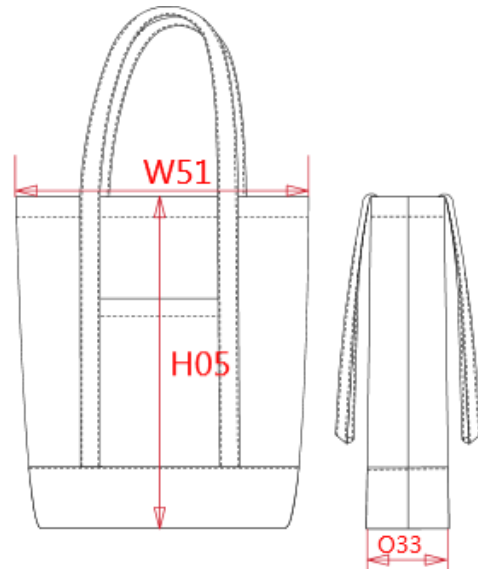
Main fabric : Cotton canvas - 310 Certified Oeko-Tex
For bottom panels & handles 100%cotton

FABRIC CONSTRUCTION AND FINISHING :

Cotton canvas

ARTICLE WEIGHT :

225 gr/pc



DESCRIPTION		COLORS	PANTONE SERIGRAPHIE
Français : Sac cabas marin English : Sailor style tote bag Nederlands : Shopper marinestijl Deutsch : Geräumige Tasche im Marine-Stil Español : Bolsa estilo marinero Italiano : Borsa shopping stile marinaio Português : Saco de compras marinho		Natural / Navy	Warm gray 1C / 296C
MEASUREMENT			
Description	U		
H05 Hauteur totale / Total height	39		
W51 Total width	43		
O33 Deep of bottom part	18		
PACKING			
Box	50 pcs / box U => L:45cm W:41cm H:35cm GW:12.88kg NW:11.5kg		