

**REFERENCE :** KI0280

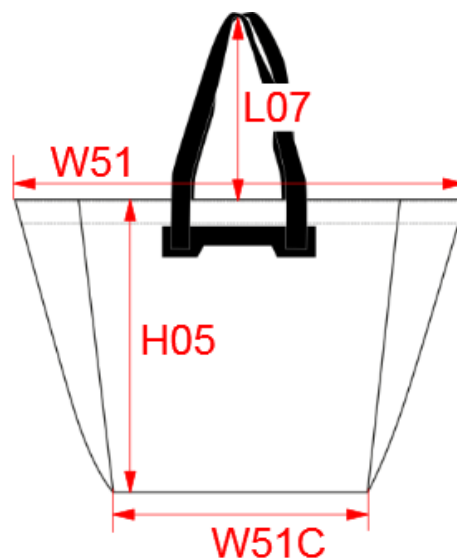
**SIZES :** U

**COMPOSITION :**

Main fabric : Cotton canvas - 310 100%cotton

**ARTICLE WEIGHT :**

582 gr/pc



**DESCRIPTION**

**Français :** Sac à main avec anses en cuir

**English :** Handbag with leather handles

**Nederlands :** Handtas met lederen hengsels

**Deutsch :** Handtasche mit Tragegriffen aus Leder

**Español :** Bolsa con asas de cuero

**Italiano :** Borsa con manici in pelle

**Português :** Saco de mão com alças em pele

**COLORS**

**PANTONE  
SERIGRAPHIE**

Syrah Wine	7629 C
Cumin yellow	7510C
Night navy	433C

**MEASUREMENT**

Description	U						
<b>H05</b> Hauteur totale / Total height	35						
<b>W51</b> Total width on top	58						
<b>L07</b> Height of shoulder belt	24						
<b>W51A</b> Total width on bottom	48						
<b>W51C</b> Total width on bottom yoke	31						

**PACKING**

Box	40 pcs / box U => L:60cm W:40cm H:38cm GW:13.1kg NW:11.6kg
-----	---------------------------------------------------------------