



REFERENCE : KI0317

SIZES : U

COMPOSITION :

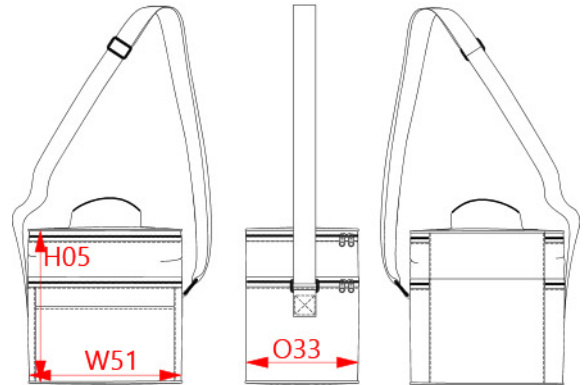
Main fabric : Polyester oxford 600D PU backing As external fabric. 100%polyester

Lining 1 : EPA foam As foam on inside, special for cooler bags. 100%EPA

Lining 2 : PEVA As lining on inside, special for cooler bags. 100%polyethylene vinyl acetate

ARTICLE WEIGHT :

260 gr/pc



| DESCRIPTION | | COLORS | PANTONE SERIGRAPHIE |
|--|--|------------|------------------------|
| Français : Sac isotherme double compartiment English : Double compartment cooler bag Nederlands : Double compartment cooler bag Deutsch : Doppelfach Kühltasche Español : Bolsa nevera doble compartimiento Italiano : Borsa frigo con doppio scompartimento Português : Saco térmico con duplo compartimento | | Light grey | 2331C |
| | | Navy | 433C |

| MEASUREMENT | | | | | | | |
|--|----|--|--|--|--|--|--|
| Description | U | | | | | | |
| H05 Hauteur totale / Total height | 26 | | | | | | |
| W51 Total width | 26 | | | | | | |
| O33 Deep of bottom part | 19 | | | | | | |

| PACKING | |
|---------|---|
| Box | 20 pcs / box U => L:50cm W:43cm H:45cm GW:6,2kg NW:5,2kg |