

**REFERENCE :** KI0332

**SIZES :** U

**COMPOSITION :**

Main fabric : Polyester ripstop 190T PU backing 100% polyester

Lining : Polyester 210D PU backing - 75 Inside of back panel + front pocket. 100%polyester

Mesh : Polyester mesh - 60 For inner pocket on main compartment. 100%polyester

Mesh 1 : Polyester mesh - 70 On back panel. 100%polyester

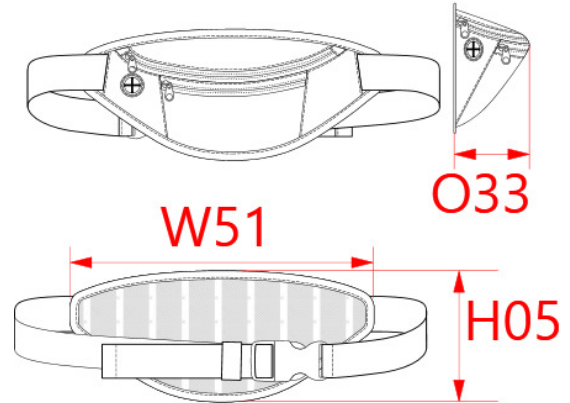
Material 7 : EVA quality 3mm thickness. On inside of back panel. 100%ethylene vinyl acetate

**TECHNICAL DETAIL :**

PU backing

**ARTICLE WEIGHT :**

110 gr/pc



DESCRIPTION								COLORS	PANTONE SERIGRAPHIE
<b>Français :</b> Sac de ceinture / banane <b>English :</b> Waist bag <b>Nederlands :</b> Heuptas <b>Deutsch :</b> Gürteltasche <b>Español :</b> Riñonera <b>Italiano :</b> Marsupio <b>Português :</b> Bolsa de cintura								Black	Black
MEASUREMENT									
Description	U								
<b>H05</b> Hauteur totale / Total height	14								
<b>W51</b> Total width	32								
<b>O33</b> Deep of bottom part	8								
PACKING									
Box	100 pcs / box U => L:58cm W:36cm H:42cm GW:12Kg NW:11Kg								