



REFERENCE : KI3119

SIZES : U

COMPOSITION :

Main material : HDPE · High density Polyethylene Blowing molding, for the main body of the bottle. 100%polyethylene

Material 2 : HDPE · High-Density Polypropylene Injection molding for the nozzle. 100%polypropylene

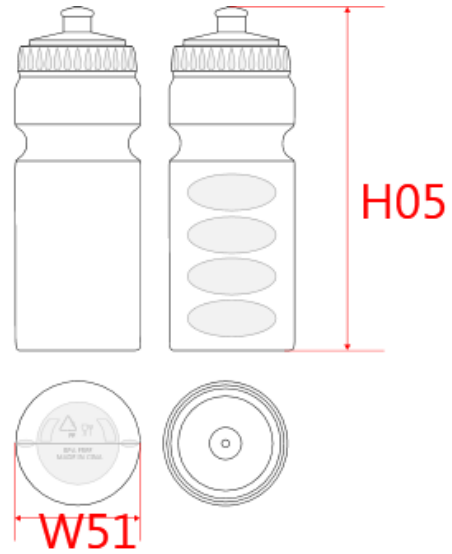
Material 3 : PP plastic quality Injection molding for the cap. 100%polypropylene

TECHNICAL DETAIL :

Blowing molding

ARTICLE WEIGHT :

60 gr/pc



DESCRIPTION								COLORS		PANTONE SERIGRAPHIE	
Français : Gourde de sport 500ML								White		White	
English : Sport bottle 500ML								Royal blue		287C	
Nederlands : Sportbidon 500ML								Light grey		2331C	
Deutsch : 500ML Sportflasche								Yellow		109C	
Español : Bidón deportivo 500ML								Red		1795C	
Italiano : Borraccia sportiva 500ML								Burnt lime		583C	
Português : Garrafa desportiva 500ML								Fuchsia		219C	
								Black		Black	
MEASUREMENT											
Description		U									
H05 Hauteur totale / Total height		17,50									
W51 Total width		6,50									
PACKING											
Box	50 pcs / box										
	Size => L:35cm W:35cm H:40cm GW:4.00kg NW:3.00kg										