

KI5201

Large recycled gusseted shopping bag

- Large gusseted bag made from recycled materials.
- Original and hard-wearing thanks to contrasting colour handles stitched along the body of the bag.
- Magnetic fastening and inner pocket for more secure storage.

Cotton/polyester. Black night colour 67% cotton / 20% polyester / 3% other fibers. Ecume color 75% cotton / 22% polyester / 3% other fibers. Backpack made of recycled cotton and recycled polyester. The handles in contrasting colours are stitched all along the body of the bag for a touch of originality and greater durability. The bag has an inner pocket with a zip fastening to safely store your keys and phone. Magnetic clasp.

One Size
 285 g/m²



More information

Logistic

1

30

Country of origin

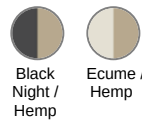


BD - Bangladesh

Customs code



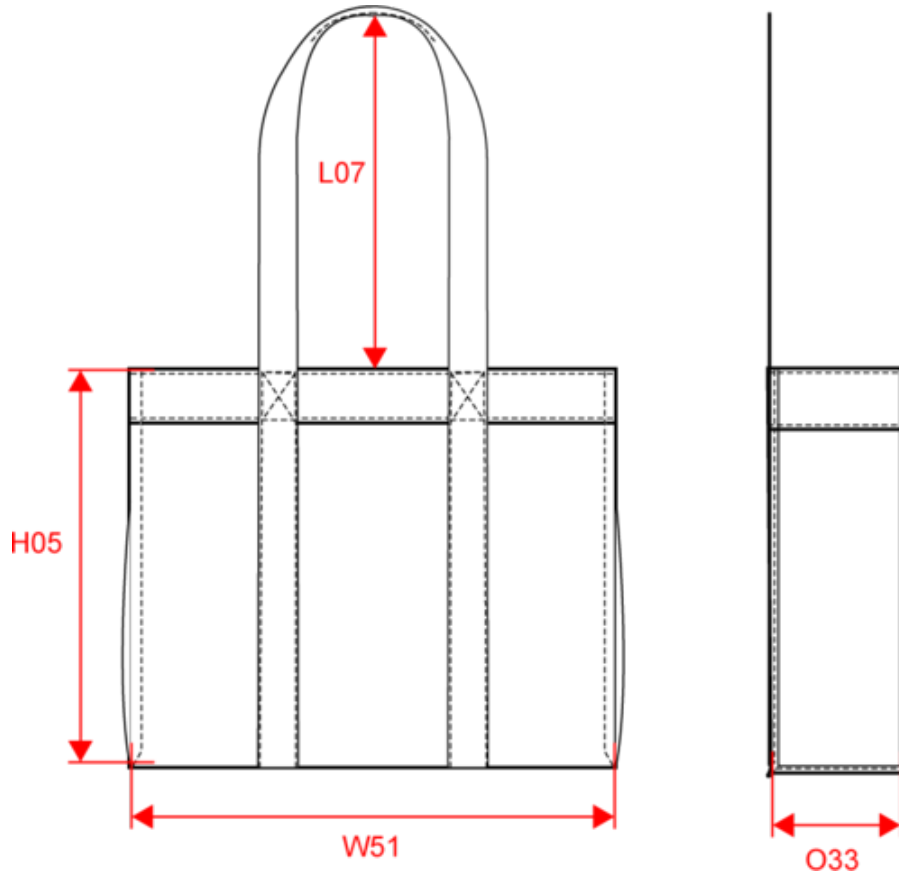
42029298



KI5201

Large recycled gusseted shopping bag

Dimensions (cm)



Measurements in cm	One size
H05 - Total height	38.00
L07 - Height of shoulder belt	30.00
O33 - Deep of bottom part	22.00
W51 - Total width	44.00



KI5201

Large recycled gusseted shopping bag

Colours information



Black Night

RVB : 39,39,41

Pantone C : Neutral Black C

Pantone TCX : 19-4006TCX

Hemp

RVB : 165,143,116

Pantone C : 7504C

Pantone TCX : 16-1315TCX



Ecume

RVB : 221,211,194

Pantone C : 482C

Pantone TCX : 12-0304TCX

Hemp

RVB : 165,143,116

Pantone C : 7504C

Pantone TCX : 16-1315TCX

Logistic



1



30

Sizes	Width (cm)	Height (cm)	Length (cm)	Net weight (kg)	Gross weight (kg)	Pieces/Box	Pieces/Bundle
One Size	47	32	42		12	30	1