

KARIBAN SPASO

REFERENCE : SP105

SIZES : 38_40_42_44_46_48_50_52_54

COMPOSITION :

Main fabric : Peached cotton heavy canvas 270 100%cotton

WEIGHT :

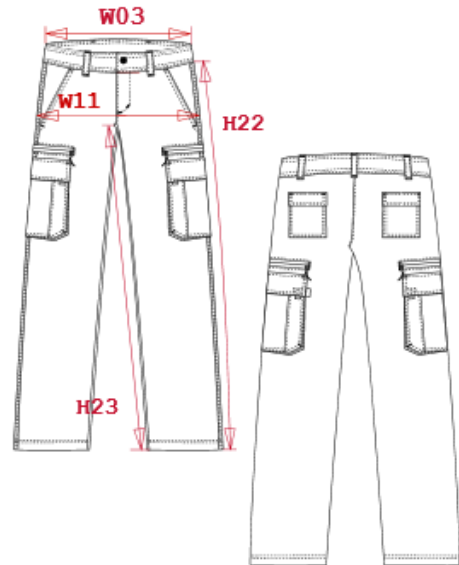
Main fabric : 270 gsm

FABRIC CONSTRUCTION AND FINISHING :

Garment washed

ARTICLE WEIGHT :

650gr/pc



DESCRIPTION	
Français :	Pantalon homme
English :	Trousers
Nederlands :	Herenpantalon
Deutsch :	Cargo herrenhose
Español :	Pantalon para hombre
Italiano :	Pantaloni uomo
Português :	Calças

COLORS	PANTONE SERIGRAPHIE
Khaki	5743C
Navy	296C
Beige	7530C
Black	Black
Dark grey	432C

MEASUREMENT										
Description	38	40	42	44	46	48	50	52	54	
W03 1/2 largeur taille / 1/2 waist width	39	41	43	45	47	49	51	53	55	
W11 1/2 bassin / 1/2 hip width	51	53	55	57	59	61	63	65	67	
H22 Longueur côté / Side length	103,25	103,75	104,25	105,75	107,25	108,75	110,25	110,75	112,50	
H23 Longueur entrejambe / Inside leg length	84	84	84	85	86	87	88	88	88	

CARE LABEL				

PACKING	
Box	20 pcs / box 38 => L:62cm W:39cm H:29cm GW:14.5kg NW:12.7kg 40 => L:62cm W:39cm H:29cm GW:14.7kg NW:12.9kg 42 => L:62cm W:39cm H:29cm GW:15.0kg NW:13.2kg 44 => L:62cm W:39cm H:29cm GW:15.4kg NW:13.6kg 46 => L:62cm W:39cm H:29cm GW:15.8kg NW:14.0kg 48 => L:62cm W:39cm H:29cm GW:16.2kg NW:14.7kg 50 => L:62cm W:39cm H:29cm GW:16.8kg NW:15.0kg 52 => L:62cm W:39cm H:29cm GW:16.9kg NW:15.4kg 54 => L:62cm W:39cm H:29cm GW:17.3kg NW:15.8kg